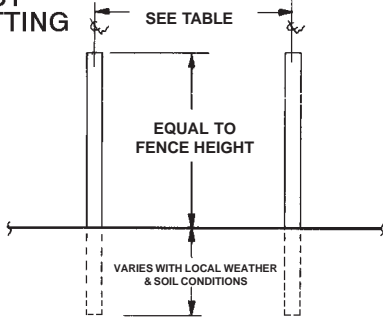


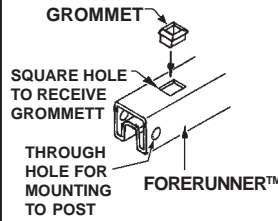
COMMERCIAL ORNAMENTAL FENCING SYSTEM

1 POST SETTING



POST SIZE	2-1/2" POSTS		3" POSTS	
PANEL WIDTH	6'	8'	6'	8'
POST SETTINGS ± 1/2" O.C.	76-3/4"	95-1/2"	77-1/4"	96"

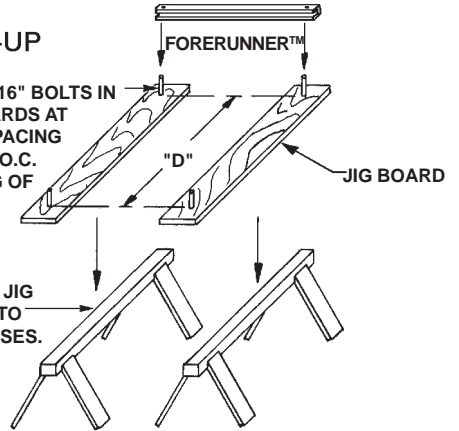
2 GROMMET INSERTION



FLEXIBLE GROMMETS SUPPLIED FOR ALL THROUGH HOLES.

3 JIG SET-UP

SET 5/16" BOLTS IN JIG BOARDS AT SAME SPACING ("D") AS O.C. SPACING OF PICKET HOLES.



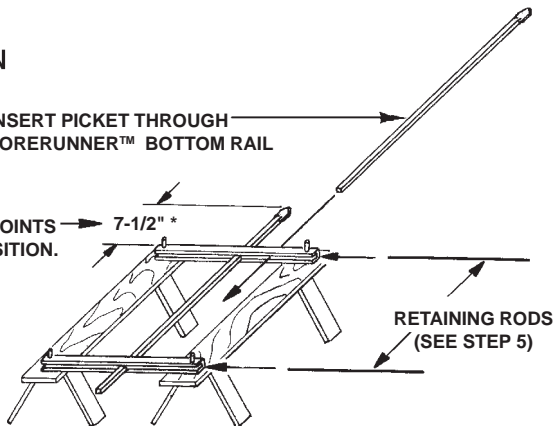
CLAMP JIG BOARDS TO SAW HORSES.

4 PICKET INSERTION

INSERT PICKET THROUGH FORERUNNER™ BOTTOM RAIL

ALIGN PICKET POINTS TO PROPER POSITION. 7-1/2" *

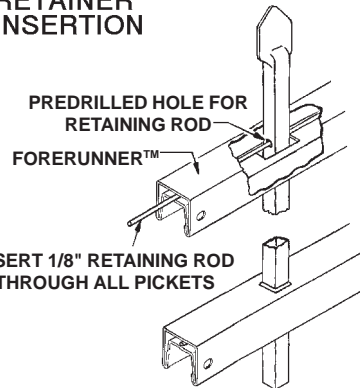
*DIMENSION SHOWN IS FOR POINTED PICKETSTYLE.



5 RETAINER INSERTION

PREDRILLED HOLE FOR RETAINING ROD

INSERT 1/8" RETAINING ROD THROUGH ALL PICKETS



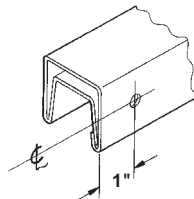
6 RAIL LENGTH ADJUSTMENT

MEASURE INSIDE-TO-INSIDE DISTANCE BETWEEN POSTS.

SUBTRACT 1" - THIS IS LENGTH TO WHICH RAIL MUST BE TRIMMED.

CUT RAIL TO CALCULATED LENGTH.

DRILL 5/16" DIAMETER HOLE THROUGH RAIL, LOCATED AS SHOWN.



APPLY 2 COATS OF ZINC-RICH PRIMER TO THOROUGHLY COVER CUT EDGE & DRILLED HOLE; LET DRY.

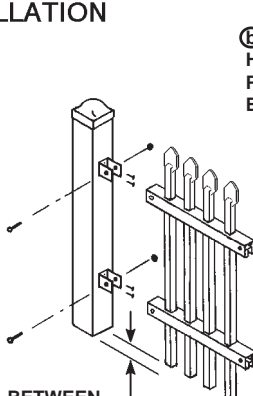
APPLY 2 COATS OF CUSTOM FINISH SPRAY PAINT MATCHING FENCE COLOR.



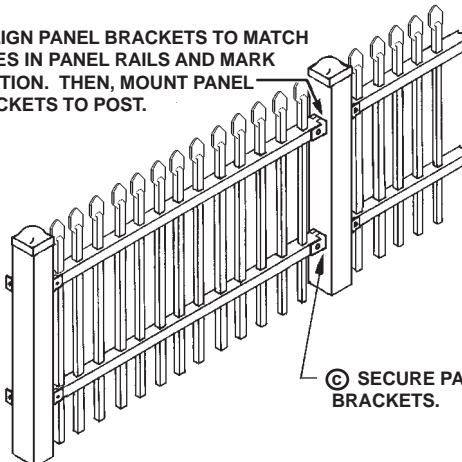
NOTE: FAILURE TO SEAL EXPOSED SURFACES PER STEPS "e" and "f" ABOVE WILL NEGATE WARRANTY.

7 PANEL INSTALLATION

ALIGN PANEL BRACKETS TO MATCH HOLES IN PANEL RAILS AND MARK POSITION. THEN, MOUNT PANEL BRACKETS TO POST.



SET PANEL BETWEEN POSTS AT 2" ABOVE GRADE TO BOTTOM OF PICKET.



SECURE PANEL TO POST BRACKETS.

COMMERCIAL ORNAMENTAL FENCING SYSTEM
Extended Picket Style