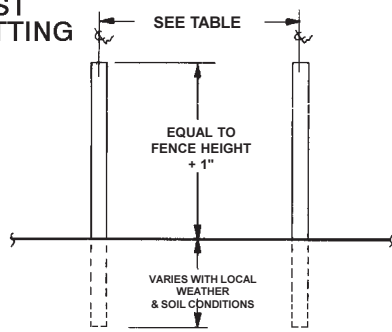


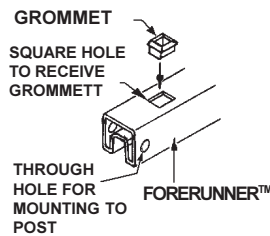
COMMERCIAL ORNAMENTAL FENCING SYSTEM

① POST SETTING



POST SIZE	2-1/2" POSTS		3" POSTS	
PANEL WIDTH	6'	8'	6'	8'
POST SETTINGS	76-3/4"	95-1/2"	77-1/4"	96"

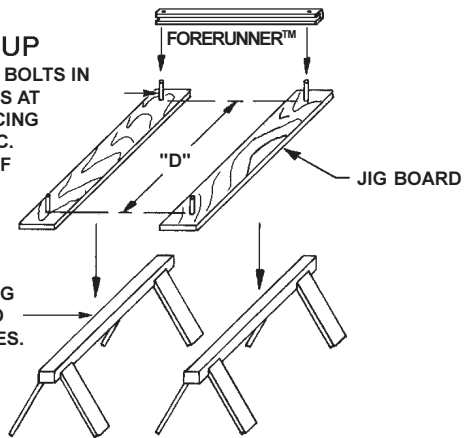
② GROMMET INSERTION (EXCEPT TOP RAIL)



FLEXIBLE GROMMETS SUPPLIED FOR ALL THROUGH HOLES.

③ JIG SET-UP

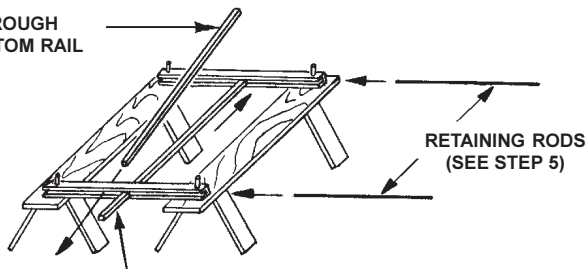
③ SET 5/16" BOLTS IN JIG BOARDS AT SAME SPACING ("D") AS O.C. SPACING OF PICKET HOLES.



④ CLAMP JIG BOARDS TO SAW HORSES.

④ PICKET INSERTION

④ INSERT PICKET THROUGH FORERUNNER™ BOTTOM RAIL

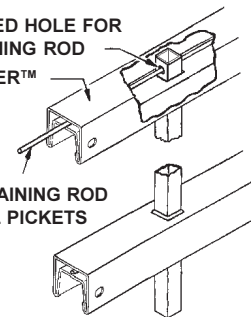


⑤ PUSH PICKET UP INTO HOLE IN UNDERSIDE OF TOP RAIL.

⑤ RETAINER INSERTION

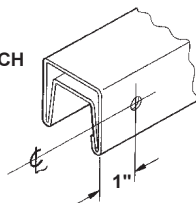
PREDRILLED HOLE FOR RETAINING ROD
FORERUNNER™

INSERT 1/8" RETAINING ROD THROUGH ALL PICKETS



⑥ RAIL LENGTH ADJUSTMENT

- ⑥ MEASURE INSIDE-TO-INSIDE DISTANCE BETWEEN POSTS.
- ⑦ SUBTRACT 1" - THIS IS LENGTH TO WHICH RAIL MUST BE TRIMMED.
- ⑧ CUT RAIL TO CALCULATED LENGTH.
- ⑨ DRILL 5/16" DIAMETER HOLE THROUGH RAIL, LOCATED AS SHOWN.



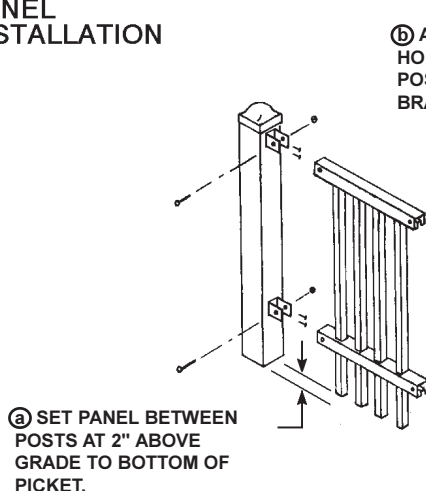
⑩ APPLY 2 COATS OF ZINC-RICH PRIMER TO THOROUGHLY COVER CUT EDGE & DRILLED HOLE; LET DRY.

⑪ APPLY 2 COATS OF CUSTOM FINISH SPRAY PAINT MATCHING FENCE COLOR.



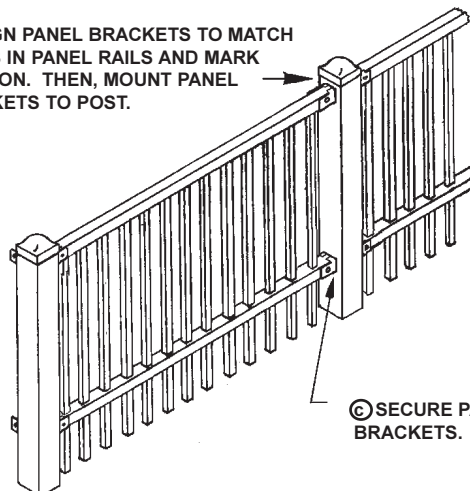
NOTE: FAILURE TO SEAL EXPOSED SURFACES PER STEPS "e" and "f" ABOVE WILL NEGATE WARRANTY.

⑦ PANEL INSTALLATION



⑫ SET PANEL BETWEEN POSTS AT 2" ABOVE GRADE TO BOTTOM OF PICKET.

⑬ ALIGN PANEL BRACKETS TO MATCH HOLES IN PANEL RAILS AND MARK POSITION. THEN, MOUNT PANEL BRACKETS TO POST.



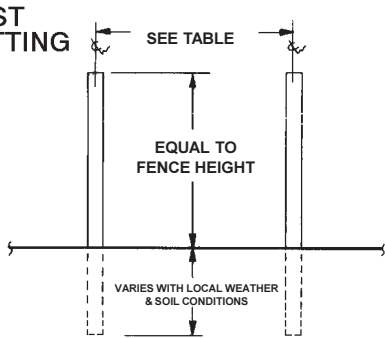
⑭ SECURE PANEL TO POST BRACKETS.

COMMERCIAL ORNAMENTAL FENCING SYSTEM

Flat Toprail Style

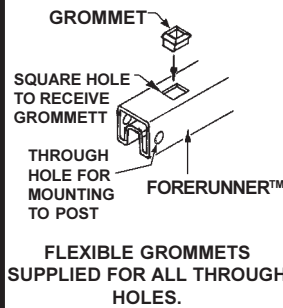
COMMERCIAL ORNAMENTAL FENCING SYSTEM

① POST SETTING

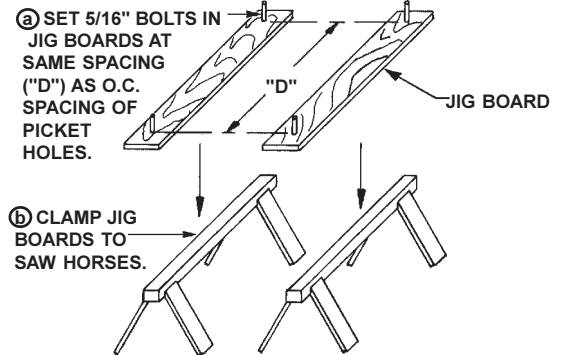


POST SIZE	2-1/2" POSTS		3" POSTS	
PANEL WIDTH	6'	8'	6'	8'
POST SETTINGS ± 1/2" O.C.	76-3/4"	95-1/2"	77-1/4"	96"

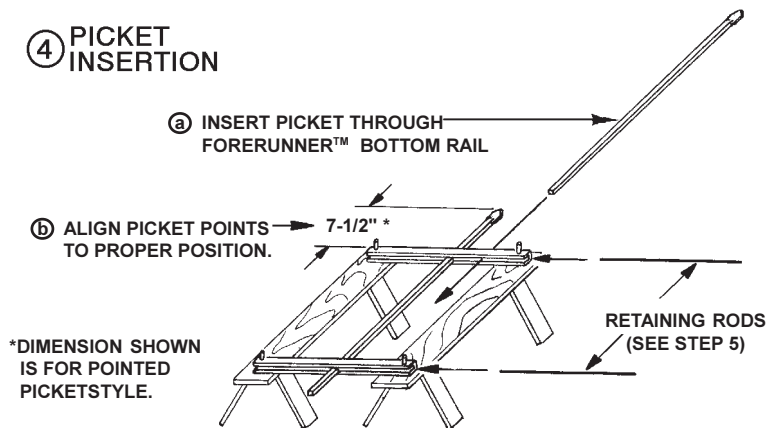
② GROMMET INSERTION



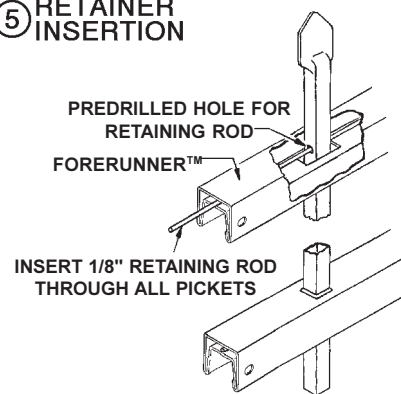
③ JIG SET-UP



④ PICKET INSERTION

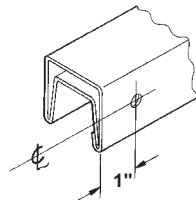


⑤ RETAINER INSERTION



⑥ RAIL LENGTH ADJUSTMENT

- ① MEASURE INSIDE-TO-INSIDE DISTANCE BETWEEN POSTS.
- ② SUBTRACT 1" - THIS IS LENGTH TO WHICH RAIL MUST BE TRIMMED.
- ③ CUT RAIL TO CALCULATED LENGTH.
- ④ DRILL 5/16" DIAMETER HOLE THROUGH RAIL, LOCATED AS SHOWN.

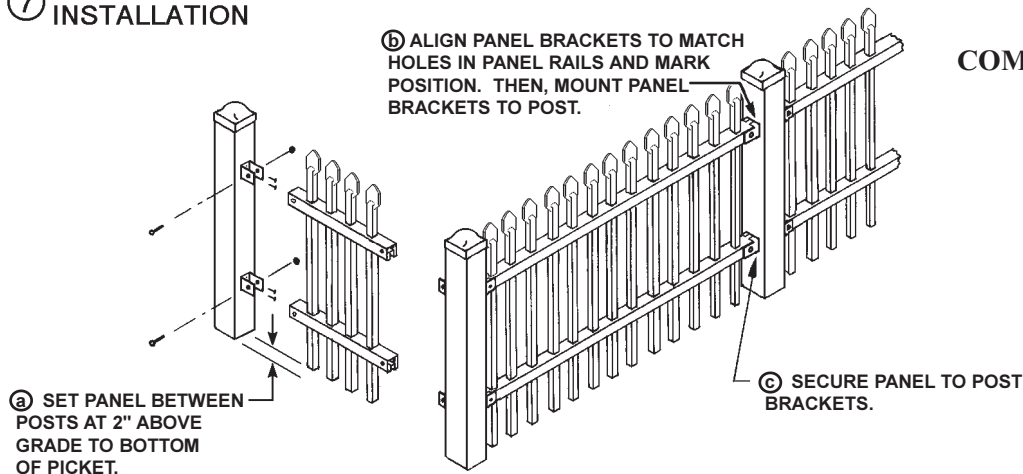


- ⑤ APPLY 2 COATS OF ZINC-RICH PRIMER TO THOROUGHLY COVER CUT EDGE & DRILLED HOLE; LET DRY.
- ⑥ APPLY 2 COATS OF CUSTOM FINISH SPRAY PAINT MATCHING FENCE COLOR.



NOTE: FAILURE TO SEAL EXPOSED SURFACES PER STEPS "e" and "f" ABOVE WILL NEGATE WARRANTY.

⑦ PANEL INSTALLATION



COMMERCIAL ORNAMENTAL FENCING SYSTEM Extended Picket Style