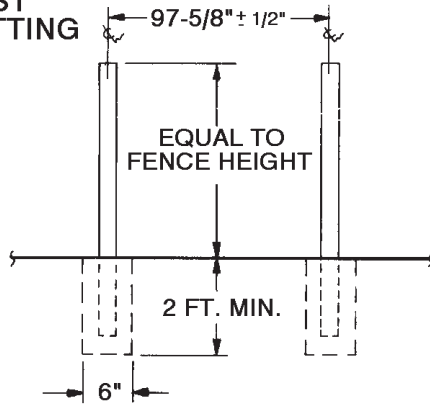


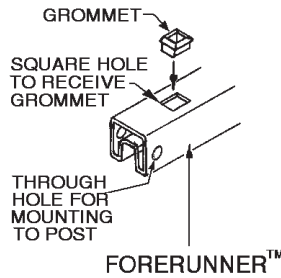
RESIDENTIAL ORNAMENTAL FENCING SYSTEM

① POST SETTING



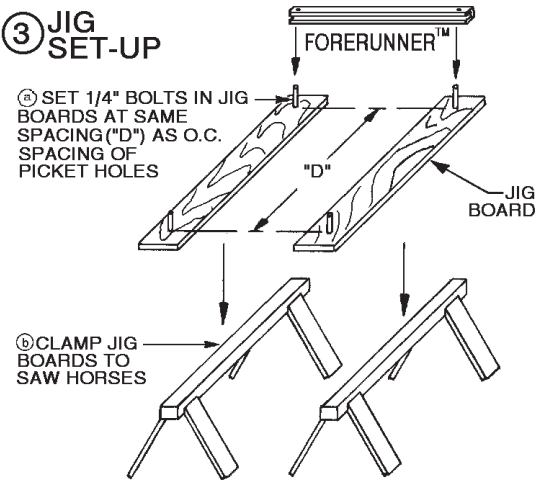
SET 2" SQUARE POST IN 2' (MIN.) DEEP CONCRETE FOOTER.
POSTS TO BE 97-5/8" O. C. ± 1/2".

② GROMMET INSERTION (EXCEPT TOP RAIL)



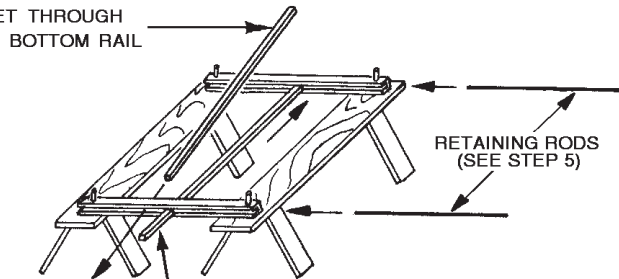
FLEXIBLE GROMMETS SUPPLIED FOR ALL THROUGH HOLES.

③ JIG SET-UP



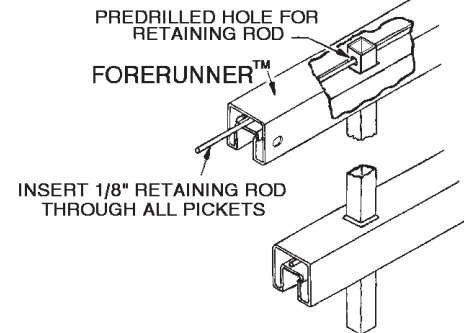
④ PICKET INSERTION

Ⓐ INSERT PICKET THROUGH FORERUNNER™ BOTTOM RAIL



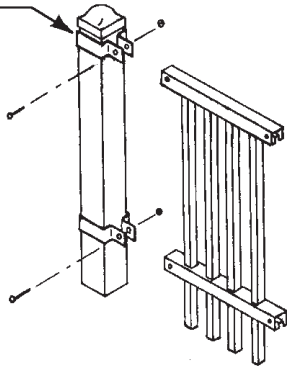
Ⓑ PUSH PICKET UP INTO HOLE IN UNDERSIDE OF TOP RAIL

⑤ RETAINER INSERTION

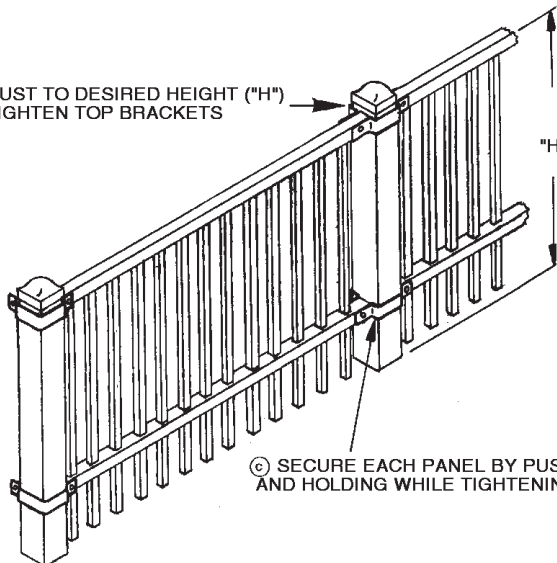


⑥ PANEL INSTALLATION

Ⓐ MOUNT PANELS TO POSTS USING END, LINE, OR CORNER BOULEVARD BRACKETS, AS APPROPRIATE



Ⓑ ADJUST TO DESIRED HEIGHT ("H") AND TIGHTEN TOP BRACKETS



Ⓒ SECURE EACH PANEL BY PUSHING DOWN ON BOTTOM RAIL AND HOLDING WHILE TIGHTENING BOTTOM BRACKETS

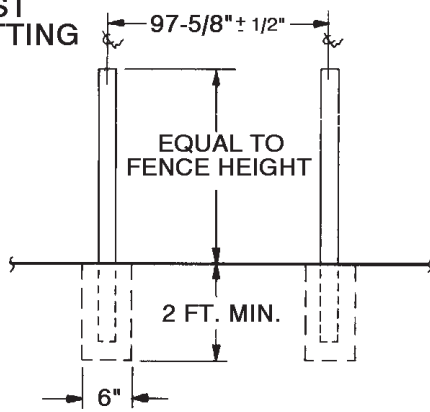
RESIDENTIAL ORNAMENTAL FENCING SYSTEM

Flat Toprail Style

WARNING: WARRANTY VOIDED IF THESE PROCEDURES ARE NOT FOLLOWED. TRIMMED RAILS MUST BE TOUCHED-UP WITH 2 COATS ZINC-RICH PRIMER (LET DRY AFTER EACH APPLICATION). THAN 2 COATS COLOR TOUCH-UP PAINT (LET DRY AFTER EACH APPLICATION) WARRANTY WILL BE VOIDED IF PICKETS ARE CUT OFF. EVEN THOUGH THE TOUCH-UP PROCEDURE HAS BEEN FOLLOWED.

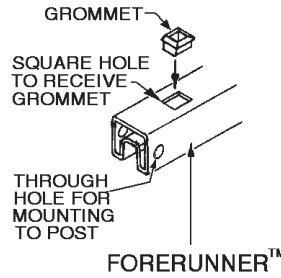
RESIDENTIAL ORNAMENTAL FENCING SYSTEM

① POST SETTING



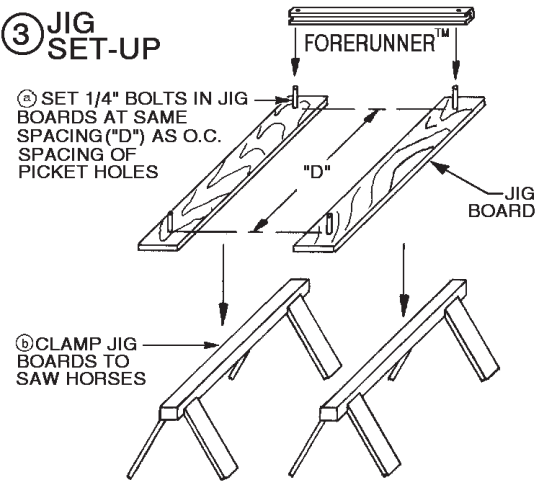
SET 2" SQUARE POST IN 2' (MIN.) DEEP CONCRETE FOOTER. POSTS TO BE 97-5/8" O. C. ± 1/2".

② GROMMET INSERTION

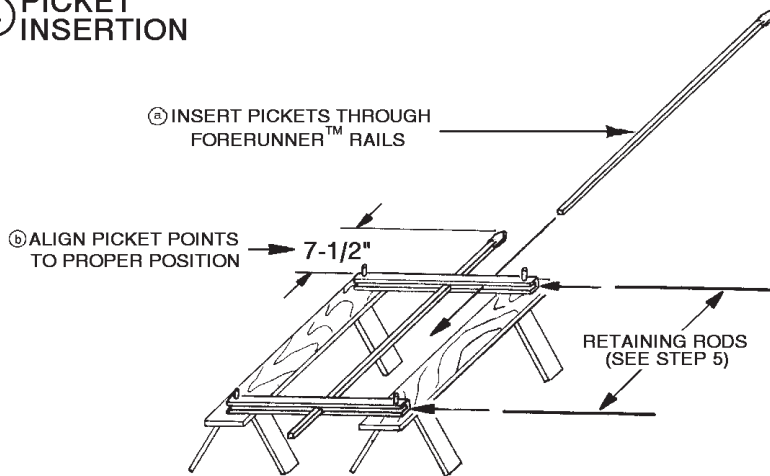


FLEXIBLE GROMMETS SUPPLIED FOR ALL THROUGH HOLES.

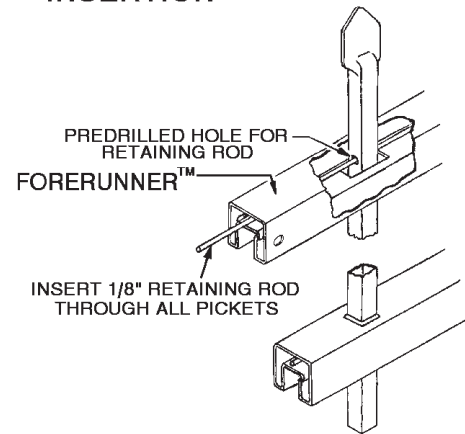
③ JIG SET-UP



④ PICKET INSERTION

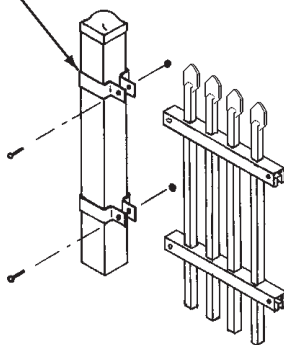


⑤ RETAINER INSERTION

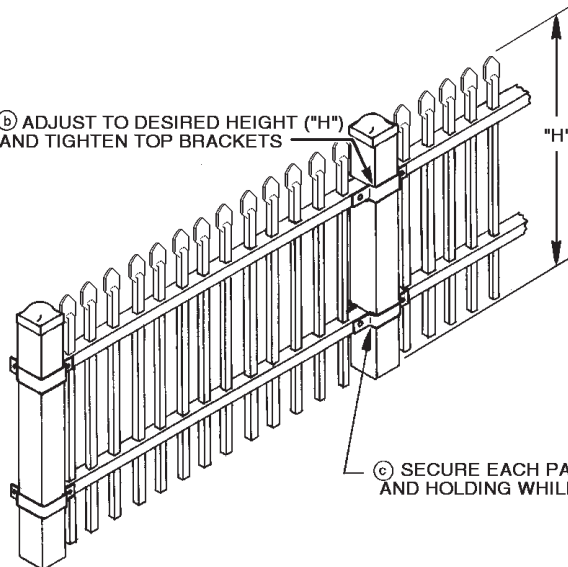


⑥ PANEL INSTALLATION

⑥a MOUNT PANELS TO POSTS USING END, LINE, OR CORNER BOULEVARD BRACKETS, AS APPROPRIATE



⑥b ADJUST TO DESIRED HEIGHT ("H") AND TIGHTEN TOP BRACKETS



⑥c SECURE EACH PANEL BY PUSHING DOWN ON BOTTOM RAIL AND HOLDING WHILE TIGHTENING BOTTOM BRACKETS

RESIDENTIAL ORNAMENTAL FENCING SYSTEM

Pointed Picket Style

WARNING: WARRANTY VOIDED IF THESE PROCEDURES ARE NOT FOLLOWED. TRIMMED RAILS MUST BE TOUCHED-UP WITH 2 COATS ZINC-RICH PRIMER (LET DRY AFTER EACH APPLICATION). THAN 2 COATS COLOR TOUCH-UP PAINT (LET DRY AFTER EACH APPLICATION) WARRANTY WILL BE VOIDED IF PICKETS ARE CUT OFF, EVEN THOUGH THE TOUCH-UP PROCEDURE HAS BEEN FOLLOWED.